

ventilation  
sash  
GN 75

**VENTILATION SASH  
GENESIS 75**



A system of non-transparent aeration flaps used in façade and window-door structures.

# GN 75 | ventilation sash

A system of non-transparent aeration flaps used in façade and window-door structures.

Visible width of the ventilation sash - 106 mm.

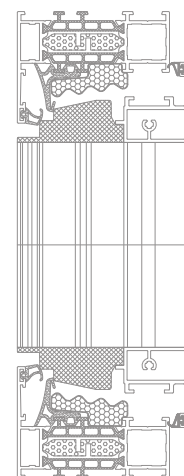
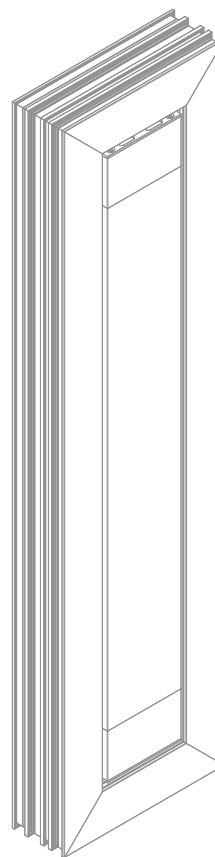
The solution is located at a depth of 75 mm, compatible with the Genesis 75 system (the GN 75 ventilation sash is flushed externally with the profile of each window frame of the Genesis 75 system).

Thermal insulation performance corresponds to the standards of the entire Genesis 75 system.

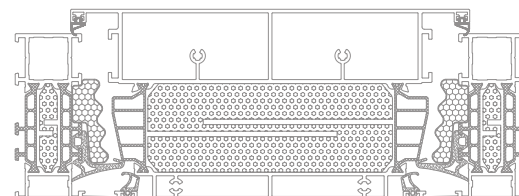
The use of dedicated hardware allows the ventilation sash to be designed in both vertical and horizontal arrangements.

It is possible to integrate ventilation sashes with the central building management system; the installed appropriate sensors (e.g. weather, smoke, carbon monoxide) will respond by closing or opening the sashes in order to ensure the safety of people in and around the building.

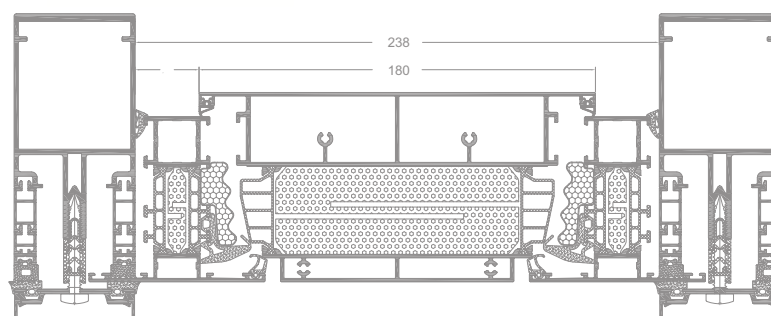
Wide range of colours – RAL palette (Qualicoat 1518), texture colours, Aliplast Wood Colour Effect (wood-like colours), Aliplast Loft View – colours imitating stone surfaces (Qualideco PL-0001), anodized colour (Qualanod 1808), bi-colour.



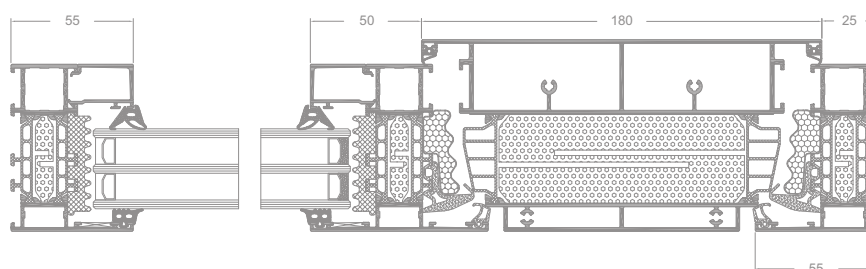
cross-section of the GN 75 ventilation flap GN 75



aeration flap



aeration flap in combination with a mullion-transom façade



aeration flap in combination with a window with fixed glazing