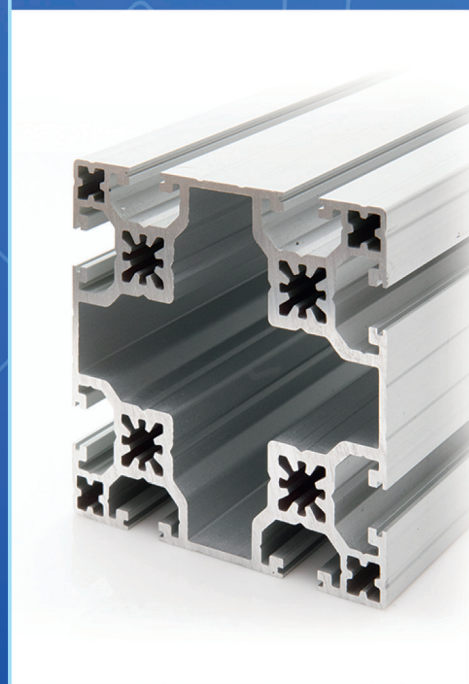
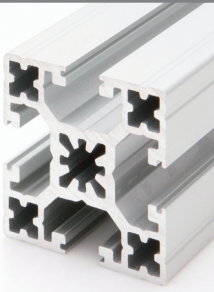
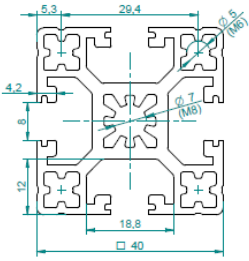
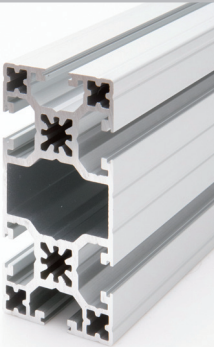
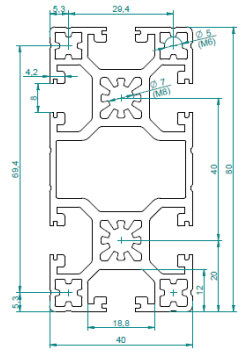
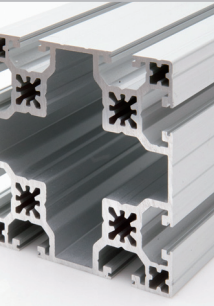
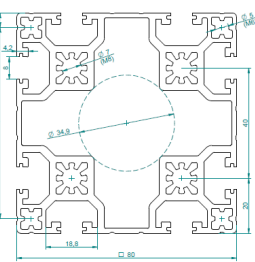


Aluminum construction profiles




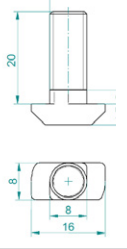

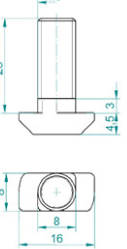

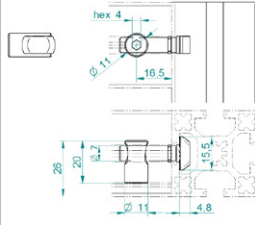

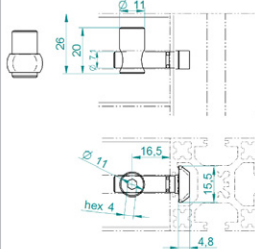
PROFILE CATALOG




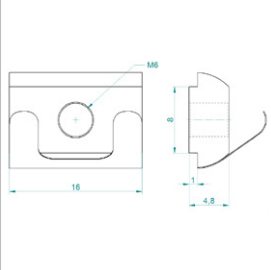

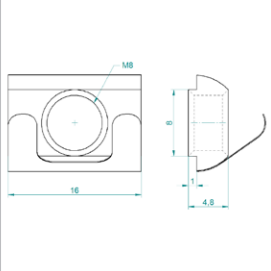

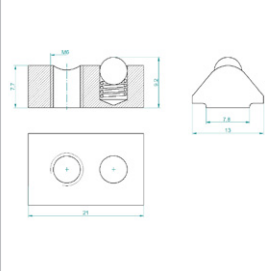

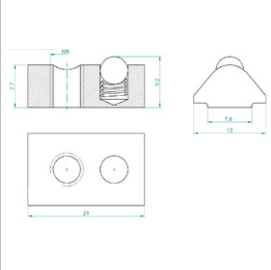

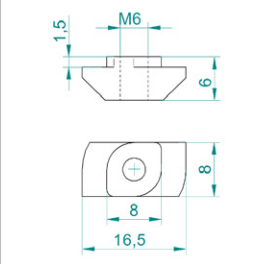
ALUMINUM CONSTRUCTION PROFILES

Name	Index	Photo	Technical drawing	Description/ dimension		Finish (Anodized - silver/ raw)	Load data
				Section height	Section width		
Aluminum construction profiles 40x40	PK001/ AN/6			40	40	anodized - silver	$I_x = I_y = 8,83 \text{ cm}^4$ $W_x = W_y = 4,42 \text{ cm}^3$ $A = 5,85 \text{ cm}^2$ $\text{mass} = 1,58 \text{ kg/m}$
Aluminum construction profiles 40x80	PK002/ AN/6			40	80	anodized - silver	$I_x = 64,48 \text{ cm}^4$ $I_y = 16,18 \text{ cm}^4$ $W_x = 16,12 \text{ cm}^3$ $W_y = 8,09 \text{ cm}^3$ $A = 10,20 \text{ cm}^2$ $\text{mass} = 2,75 \text{ kg/m}$
Aluminum construction profiles 80x80	PK003/ AN/6			80	80	anodized - silver	$I_x = I_y = 112,97 \text{ cm}^4$ $W_x = W_y = 28,24 \text{ cm}^3$ $A = 16,20 \text{ cm}^2$ $\text{mass} = 4,37 \text{ kg/m}$


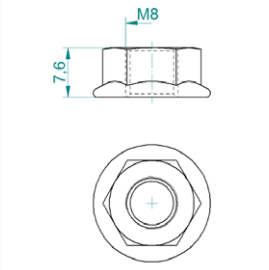

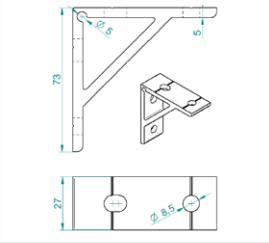

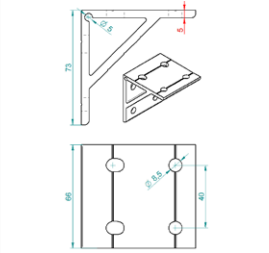

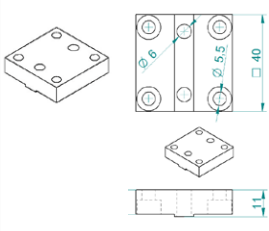

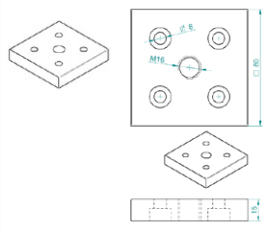
ACCESSORIES FOR ALUMINUM PROFILES

Name	Index	Photo	Technical drawing	Description/ dimension		Material	Norm/ DIN	Quantity per box
				Fi	Lenght			
Screw	S5.5X19H			5,5	19	steel A2	912	10
T-bolt 20	ACPK201			8	20	galvanized steel	603	10
T-bolt 28	ACPK202			8	28	galvanized steel	603	10
Parallel profile connector	ACPK088			8	80	galvanized steel	609	10
Perpendicular profile connector	ACPK089			8	80	galvanized steel	609	10


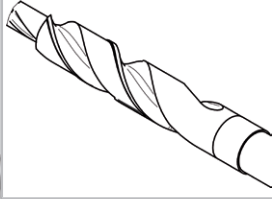

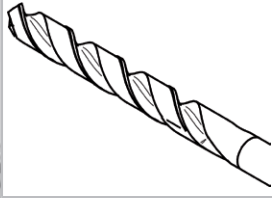
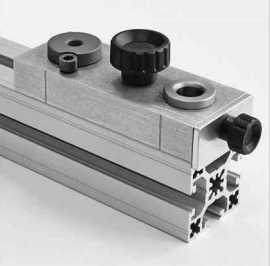
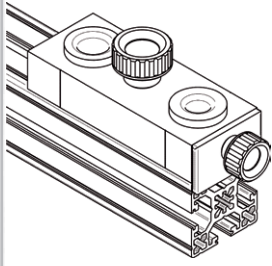
ACCESSORIES FOR ALUMINUM PROFILES

Name	Index	Photo	Technical drawing	Description/ dimension		Material	Norm/ DIN	Quantity per box
				Fi	Lenght			
Spring nut 8-M6	ACPK803			8	6	galvanized steel	604	10
Spring nut 8-M8	ACPK806			8	8	galvanized steel	604	10
Nut with Ball N8 - M6	ACPK804			8	6	galvanized steel	606	10
Nut with Ball N8 - M8	ACPK807			8	8	galvanized steel	606	10
Nut 8-M6	ACPK802			8	6	galvanized steel	601	10

ACCESSORIES FOR ALUMINUM PROFILES

Name	Index	Photo	Technical drawing	Description/ dimension		Material	Norm/ DIN	Quantity per box
				Fi	Lenght			
Collar nut M8-8	ACPK805			8	8	galvanized steel	923	10
Angle bracket 40	ACPK040					aluminum anode natural		4
Angle bracket 80	ACPK080					aluminum anode natural		4
Aluminum plate 40	ACPK140					aluminum anode natural		4
Aluminum base plate 80x80x15	ACPK158					aluminum anode natural		4

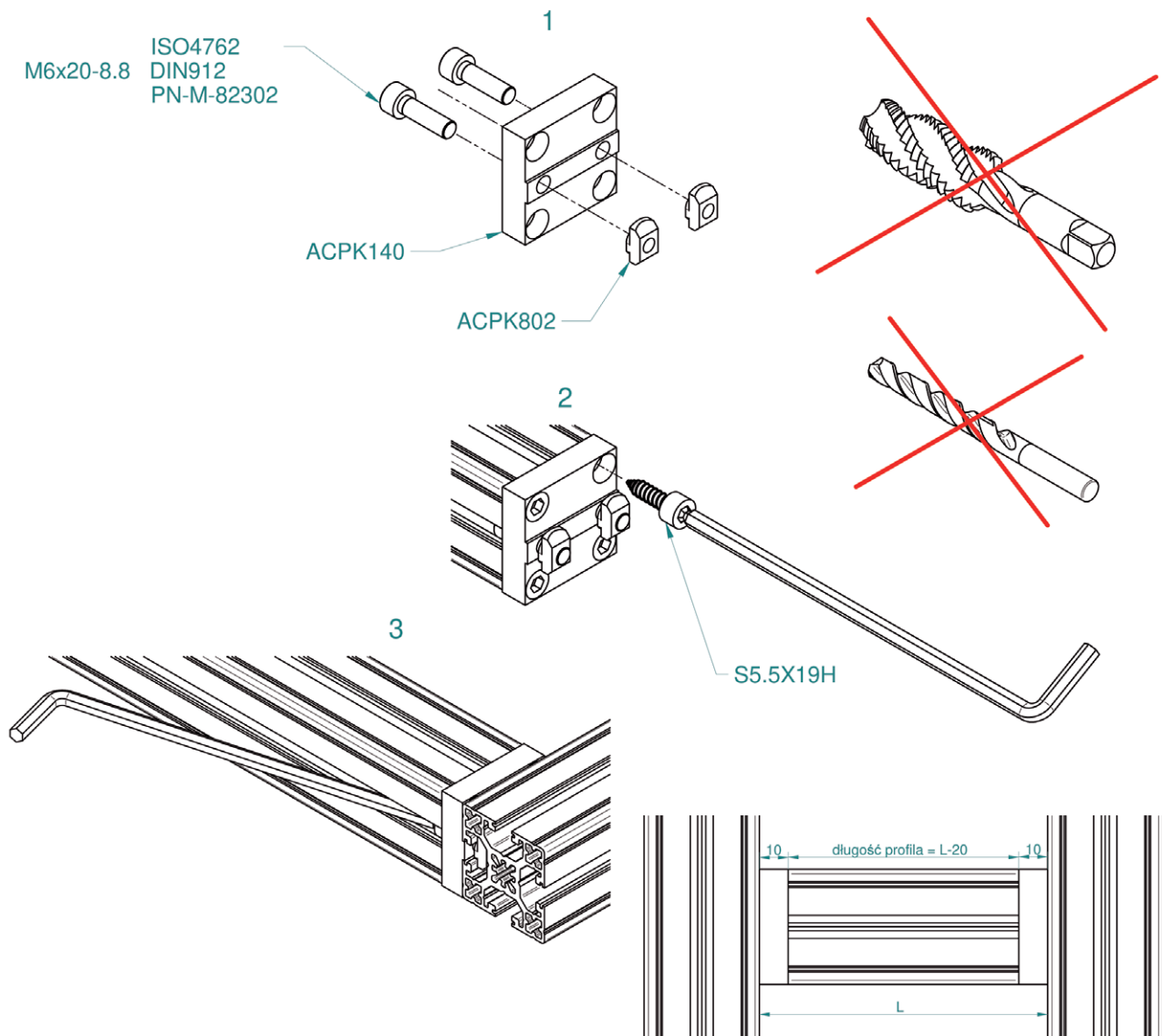
INSTALLATION ACCESSORIES

Name	Index	Photo	Technical drawing	Description/dimension		Norma/ DIN	Quantity per box
				Fi	Lenght		
Stepped drill bit fi14/fi8	ACPK808						1
Drill fi11	ACPK809			11			1
Universal template	ACPK810						1

- Download the aluminum construction profiles and accessories for aluminum profiles price list from the authorized zone on the website **www.aliplast.pl**
- Additionally, we offer machining on modern CNC work centers and precision double miter saws cutting
 - Please send inquiries and processing inquiries to the CNC department:
Krzysztof Król, email: krzysztof.krol@aliplast.pl

EXAMPLE CONNECTIONS

Lightweight connection without flashing (with intermediate plate)



Light installation without flashing (with intermediate plate, profiles cut to size)

1. Pre-install: M6x20 bolts and T-slot nuts on the intermediate plate.
2. Screw the pre-installed plate to the profile face with 5.5x19 screws.
3. Insert the T-nuts into the profile to be joined and tighten the M6x20 bolts.

Only one ball-end Allen key, size 5 is required for installation.
No need of drilling or tapping.

Connection kit for a single connection:

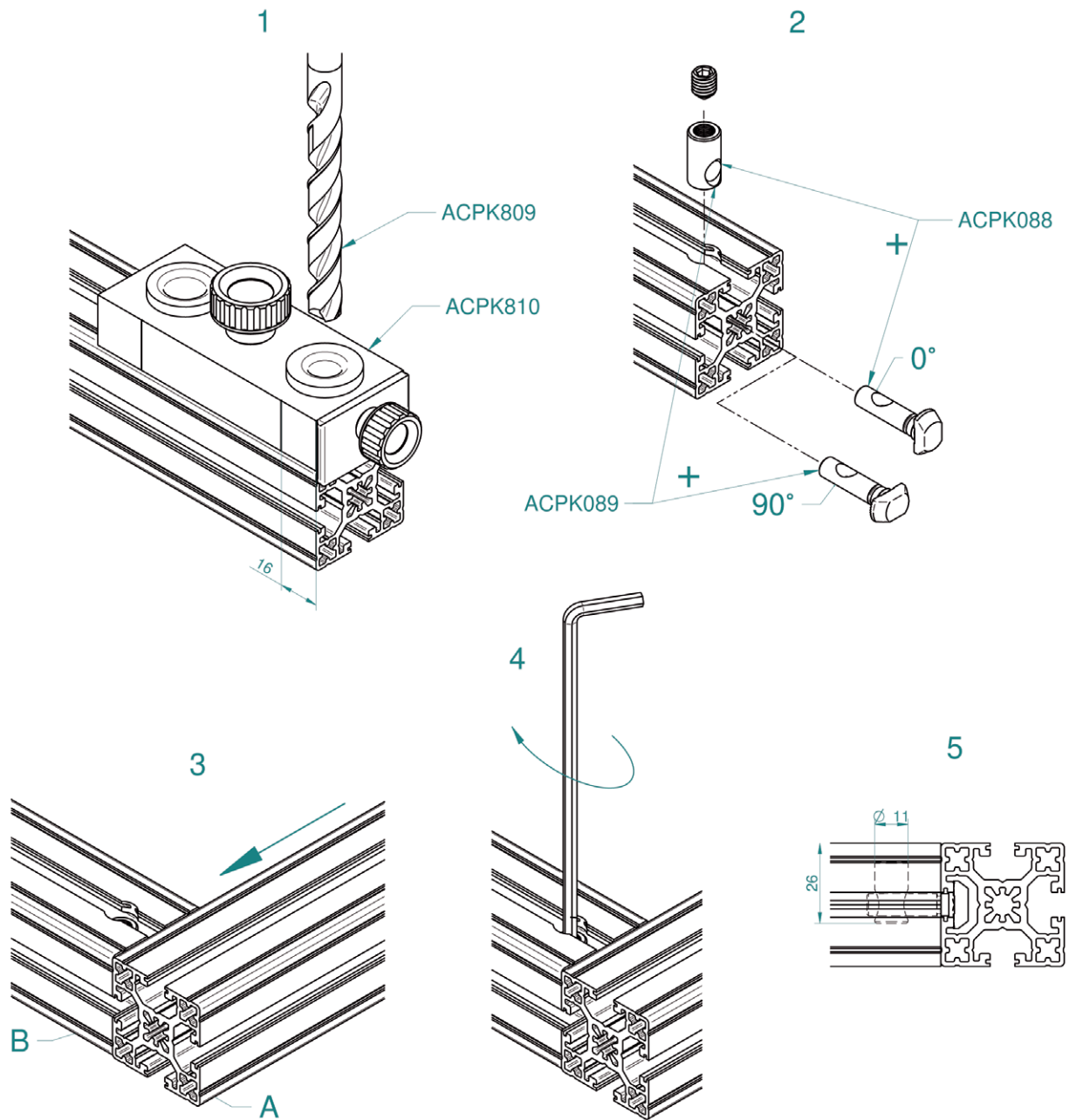
- 1 x intermediate plate
- 2 x M6x20 bolts
- 2 x M6 T-slot nuts
- 4 x 5.5x19 screws

Note:

The length of profile installation is reduced by 10 mm for each intermediate plate.

EXAMPLE CONNECTIONS

Central connector connection



Installation with a central connector

1. Make a $\varnothing 11$ hole with a depth of 11.9 mm in profile B.
2. Pre-install the connector as needed: 0° or 90° .
3. Slide profile A with the channel onto the connector anchoring element.
4. Tighten the conical screw of the connector while maintaining the correct relative position of profile A.

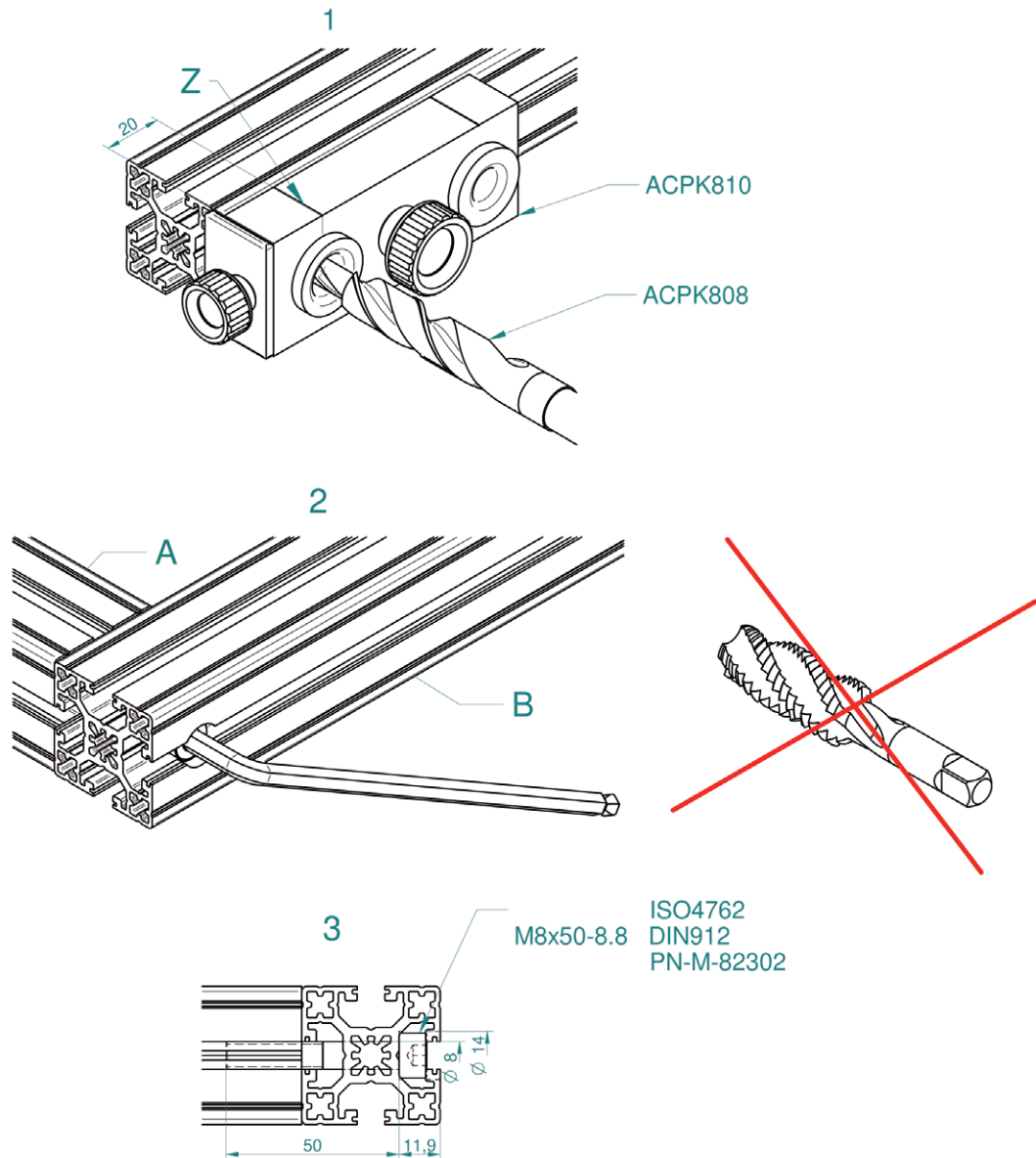
Accessories and tools:

- general-purpose drill positioner
- $\varnothing 9$ special bit
- 1 x central connector (0° or 90°)
- Allen key, size 4

Selecting the right connector allows you to place the hole for the connector in the injection part of the structure.

EXAMPLE CONNECTIONS

Light connection without intermediate plate



Light installation without intermediate plate

1. Make a stepped hole in profile B $\varnothing 8/\varnothing 14$. $\varnothing 14$ hole with a depth of 11.9 ± 0.1 mm.
2. Screw profile B to profile A with the M8 bolt.
Care should be exercised during the first screwing in the bolt as the bolt forms a thread in the central hole of the profile during the first screwing.

Accessories and tools:

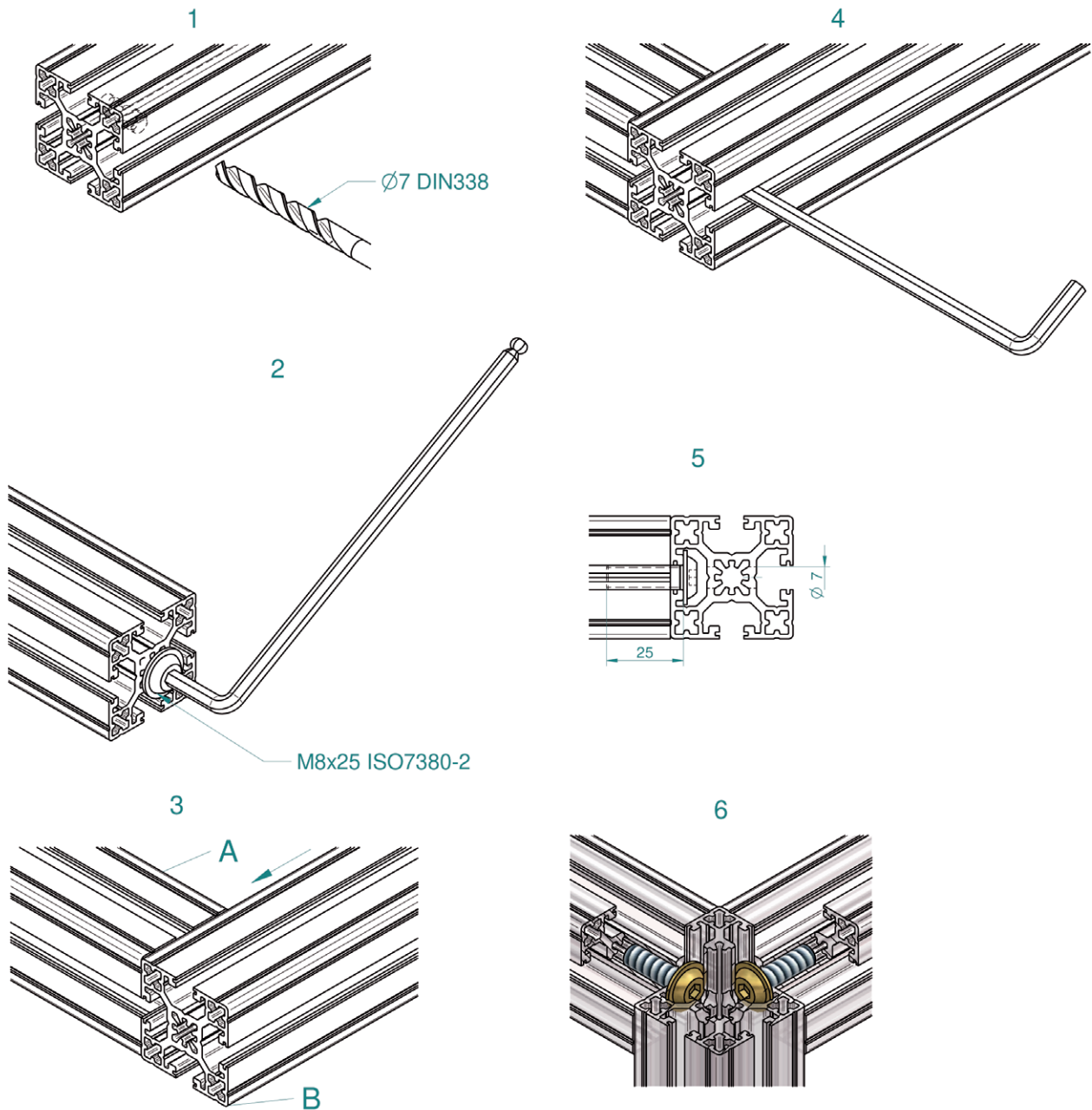
- general-purpose drill positioner
- drill-reamer
- 1 x M8x50 bolt acc. to PN-M-82302 (DIN 912)
- Allen key, size 6

When making a corner connection, the distance of the hole from the edge is 20 mm.

For T-type connections, the Z mark on the positioner is helpful.

EXAMPLE CONNECTIONS

Super-light connection without intermediate plate



Super-light installation without intermediate plate

1. Make a $\varnothing 7$ through hole in profile B in the place of the final connection.
2. Screw the M8x25 washer-head bolt into profile A, leaving the distance of the head allowing free sliding onto the groove of profile B (approx. 5 mm). Care should be exercised during the first screwing in the bolt as the bolt forms a thread in the central hole of the profile during the first screwing.
3. Slide profile B onto profile A by aligning the one drilled hole with the other drilled hole.
4. Tighten the screw through the hole while holding the joined profiles in the correct position.

When making a corner connection, the distance of the hole from the edge is 20 mm. For T-type connections, the Z mark on the positioner is helpful.

Accessories and tools:

- general-purpose drill positioner
- $\varnothing 7$ bit
- 1 x M8x25 bolt (~ISO7380)
- Allen key, size 5



aliplast

— aluminium —
engineering systems



WWW.ALIPLAST.PL