

ID

IDEAL



IDEAL – an industrial-style internal aluminium installation system without thermal insulation. IDEAL is a system solution for modern spaces, bringing a loft touch to the interior.

# IDEAL

The system is intended to design industrial-style internal installation.

IDEAL is a door and internal wall system available in many options:

- single doors
- double doors
- pivot doors
- it is also possible to install permanent glazing around the IDEAL doors with top and/or side light. Depending on the demand and the style of the interior, a permanent wall solution is also available, with or without astragal bars

The IDEAL system is based on a thin profile (33 mm) allowing the engineer structures that fit into modern and classic design.

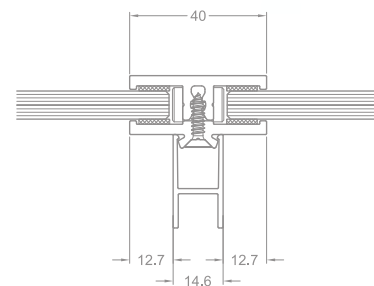
The IDEAL glazing system is an alternative to the classic partition walls that separate rooms.

Both the doors and walls of the IDEAL system can have different division patterns, which allows a perfect fit to the interior design. Versatility and functionality are further advantages of the IDEAL system.

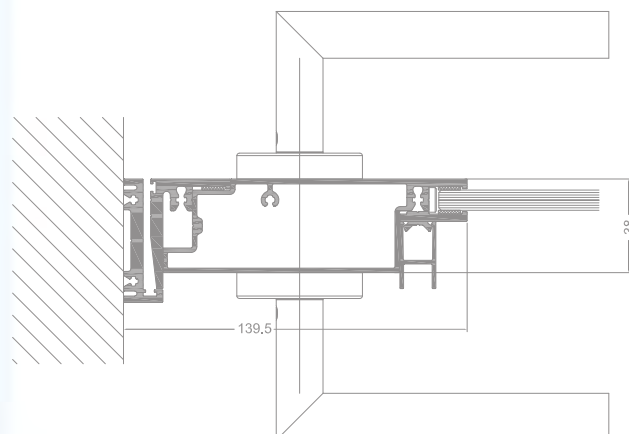
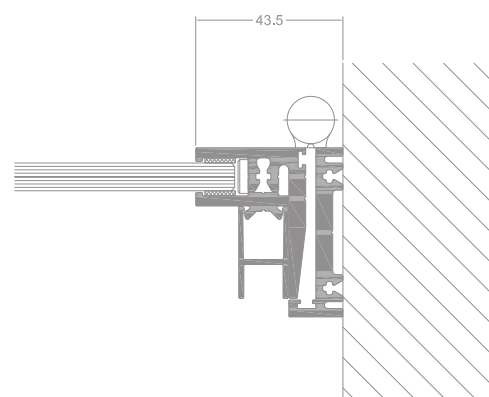
In order to maintain consistency, the IDEAL system includes specially designed handle grips and matching handles and trim rings. Available types:

- door handle
- handle
- rosette (cylinder lock / key lock / bathroom lock)

Wide range of colours – RAL palette (Qualicoat 1518), texture colours, Aliplast Wood Colour Effect (wood-like colours), Aliplast Loft View – colours imitating stone surfaces (Qualideco PL-0001), anodized colour (Qualanod 1808), bi-colour.



IDEAL



## TECHNICAL SPECIFICATION

SYSTEM	MATERIAL	VISIBLE WIDTH	VISIBLE WIDTH OF THE DOOR LIGHT	POSSIBILITY OF GLAZING	MAXIMUM WIDTH OF THE STRUCTURE	HINGES
IDEAL	aluminium / polyamid	from 33 mm /	40 mm	/ 8-10-12 mm	2000 cm	visible or concealed (adjustable)